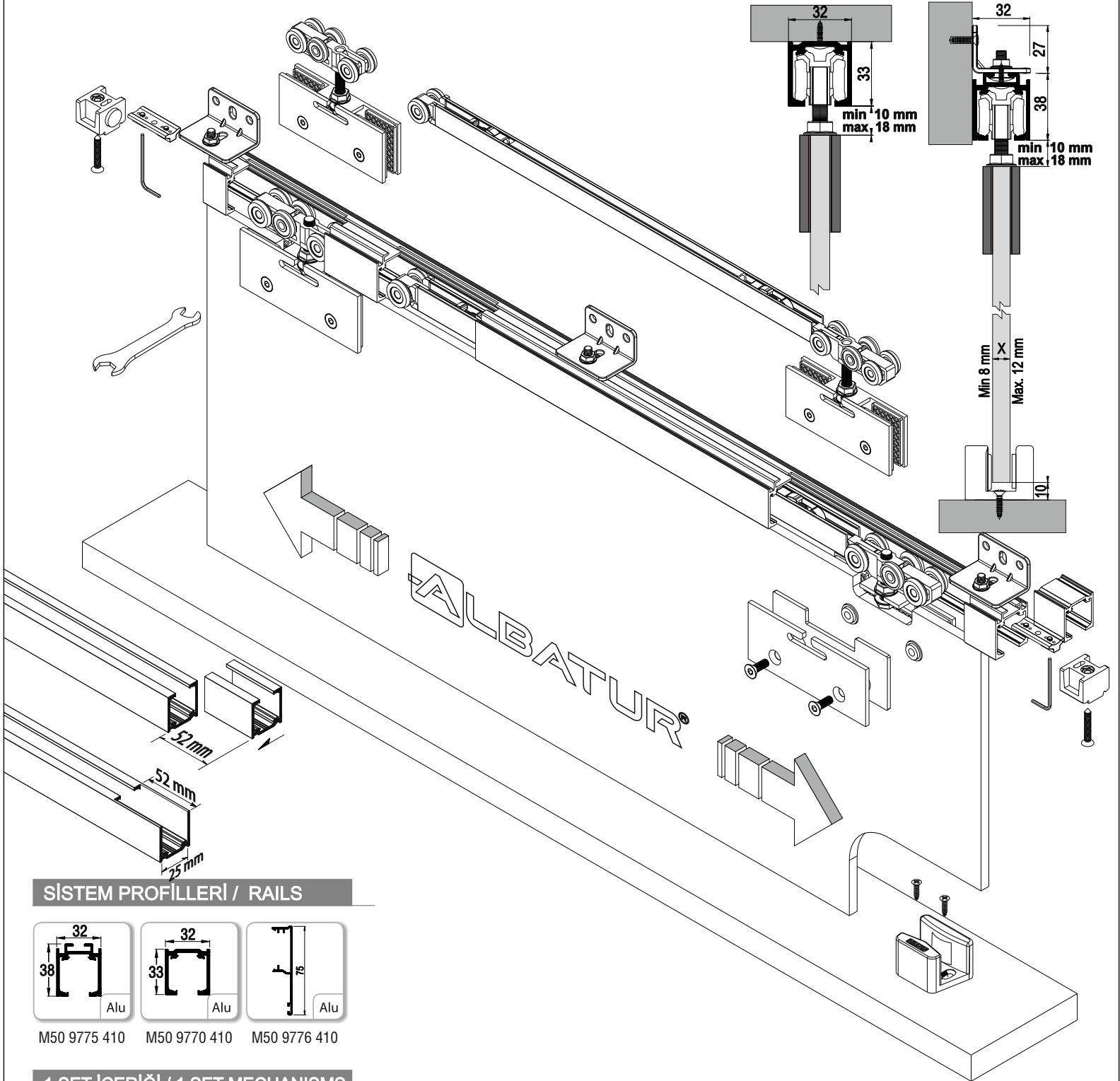


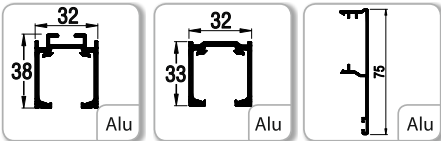
9030 SFT

60 KG AYARLI ÇİFT YÖNE YAVASLATIÇILI SÜRME CAM KAPI SİSTEMİ
60 KG ADJUSTABLE SLIDING GLASS DOOR SYSTEM [TWO WAY /SOFT CLOSING]

ALBATUR[®]
produces quality



SİSTEM PROFİLLERİ / RAILS

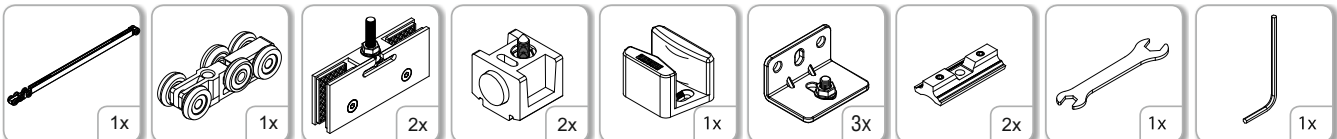


M50 9775 410

M50 9770 410

M50 9776 410

1 SET İÇERİĞİ / 1 SET MECHANISMS



M20 9010 531

M20 9010 530

M23 9030 502

M20 9010 503

M20 9910 560

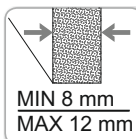
M20 7310 504

M20 9010 502

M20 7090 502

M2.5 ALLEN

TEKNİK BİLGİ / TECHNICAL



MIN 8 mm
MAX 12 mm

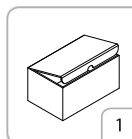


Max. 60 kg

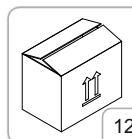


Minimum
DOOR
Measurement
650 mm

PAKETLEME / PACKAGE



1 set/1 Package



12 set/1 box



8 699986 190304

www.albaturas.com

9030 SFT

60 KG AYARLI ÇİFT YÖNE YAVASLATICILI SÜRME CAM KAPI SİSTEMİ
60 KG ADJUSTABLE SLIDING GLASS DOOR SYSTEM [TWO WAY /SOFT CLOSING]

ALBATUR[®]
produces quality

