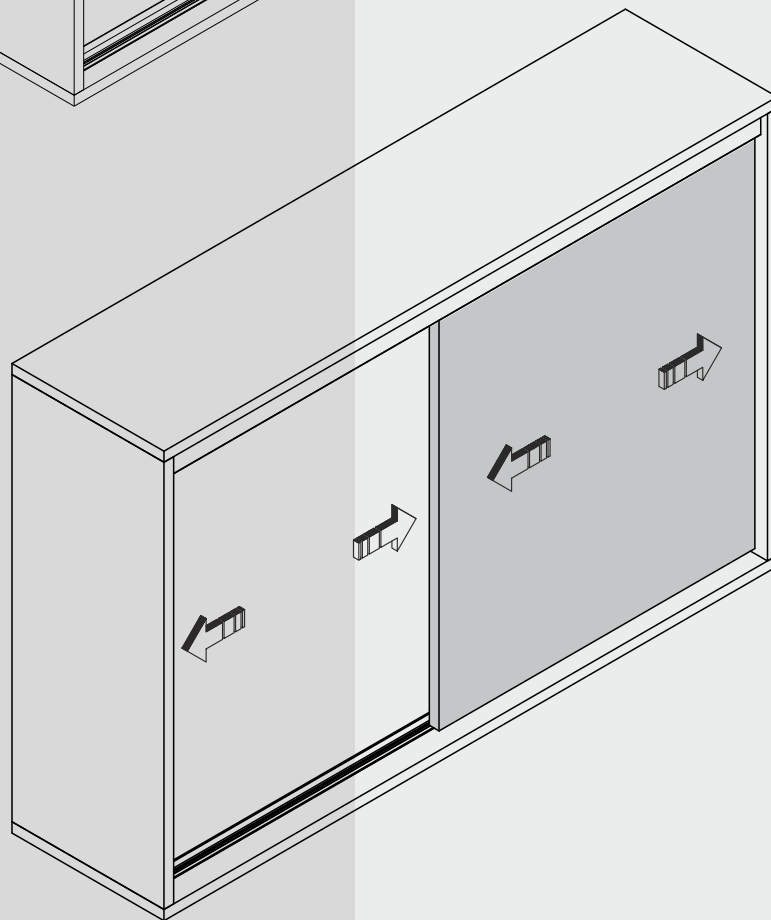


SRG 100

installation guide





Sliding door system SRG 100

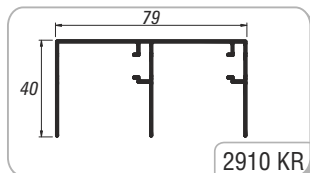
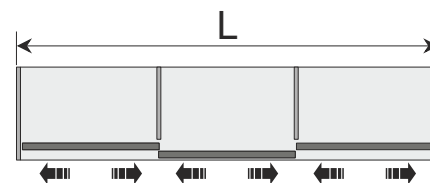
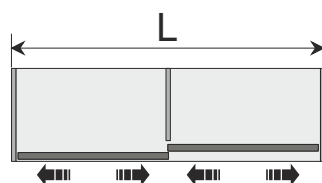
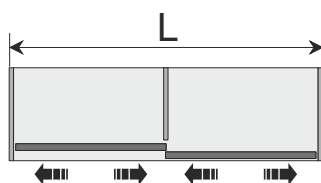
For All cabinet designs
Set pack for ordering



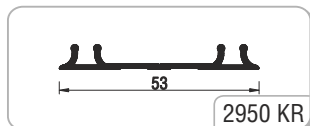
System components

Article	Door Thickness (mm)	EB	Order no. with Soft closers	PU	Minimum quantity	
For 2-door cabinets 	16 - 18 - 19 20 - 22	39	Internal door	SRG 100	1	10
			External door			
For 3-door cabinets Centre door for opening only RIGHT or only LEFT 	16 - 18 - 19 20 - 22	39	Internal door	SRG 100	1	10
			External door	SRG 100 C	1	10

Profile sets



Guiding Profile - Aluminium Rail



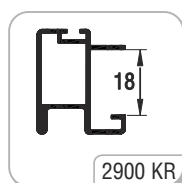
Running Profile - Aluminium Rail



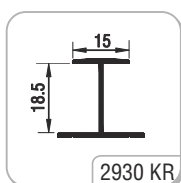
Running Profile - Single Rail

Article Profile set 1 for	L Cabinets length (mt)	Order no. running & guiding profiles	PU	Minimum quantity
2 or 3 - door cabinets 2.00 mt	2.00	2950 KR	1	10
	2.00	2910 KR	1	10
2 or 3 - door cabinets 2.50 mt	2.50	2950 KR	1	10
	2.50	2910 KR	1	10
2 or 3 - door cabinets 3.00 mt	3.00	2950 KR	1	10
	3.00	2910 KR	1	10
	3.00	7520	2	10
2 or 3 - door cabinets 4.00 mt	4.00	2950 KR	1	10
	4.00	2910 KR	1	10

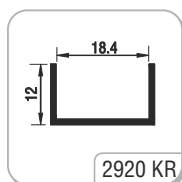
Handle Profile sets for 18 mm wooden panel with glass / mirror



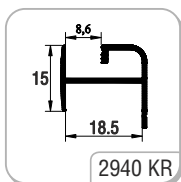
2900 KR



2930 KR



2920 KR



2940 KR

Article Profile	L Cabinets height (mt)	Order no. profiles	Minimum quantity
Handle profile	2.50	2900 KR	6
	3.00		
Bottom and upper frame profile	3.00	2920 KR	10
18 mm wooden Adaptor profile	3.00	2930 KR	10
18 mm wooden to (3 - 8 mm) glass / mirror Adaptor profile	3.00	2940 KR	10

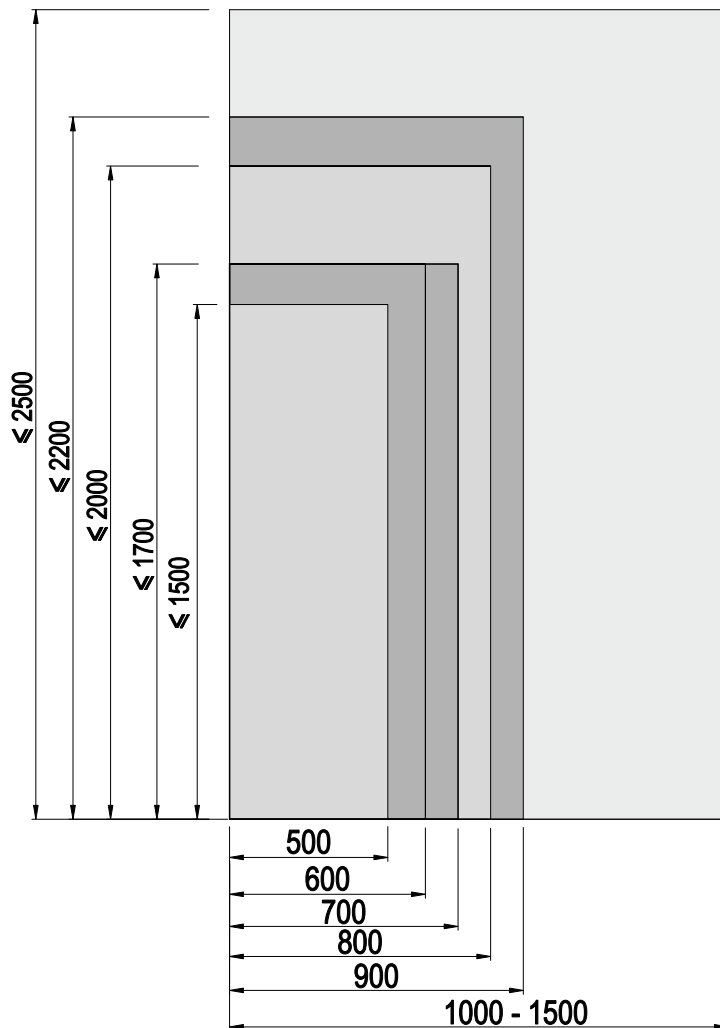
Recommended installation dimensions. All technical details are subject to change by Albaturo Co.

Sliding door system SRG 100

Two & Three -door desingn of closing and colliding direction
System information



Technical details



Information

Two roller , running Adjustable sliding door system

Able to use soft closing all sides

Overlay door position

Usable for 2 / 3 / 4 doors cabinets

Door weight up to 70 kg

Minimum door weight 20 kg

Door height up to 2500 mm

Door width 500 - 1500 mm

Door thicknesses

16 - 18 - 19 - 20 - 22 mm

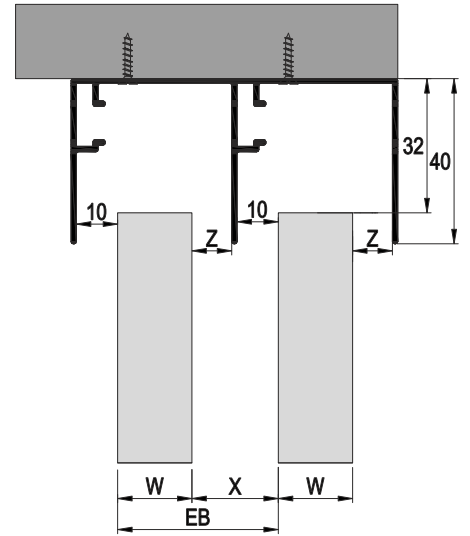
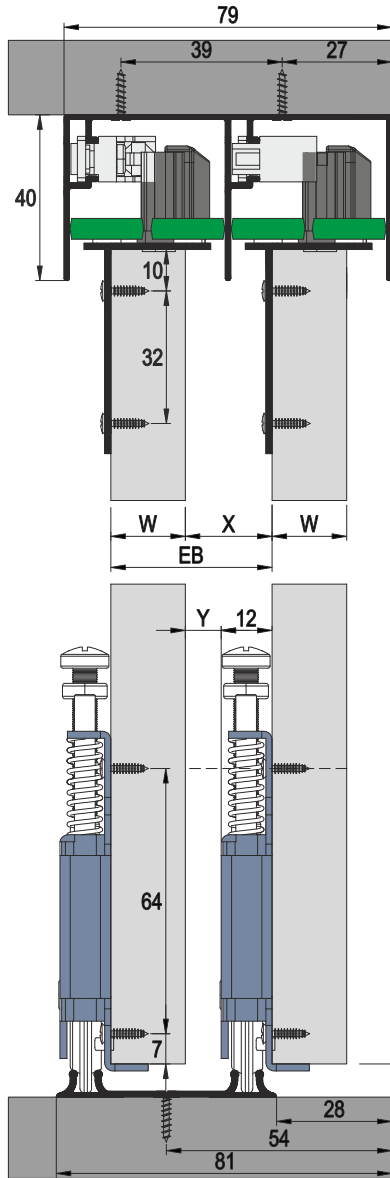
Fast installation

Sliding door system SRG 100

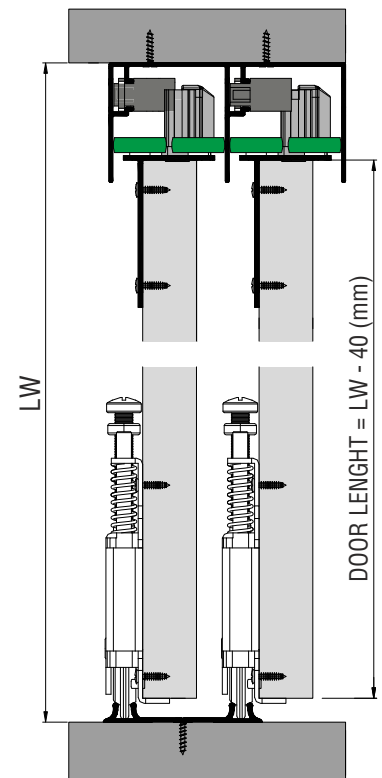
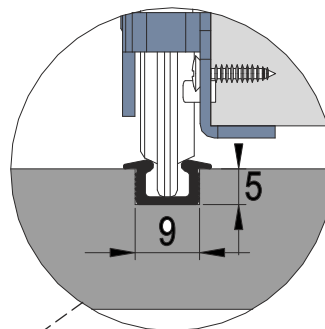
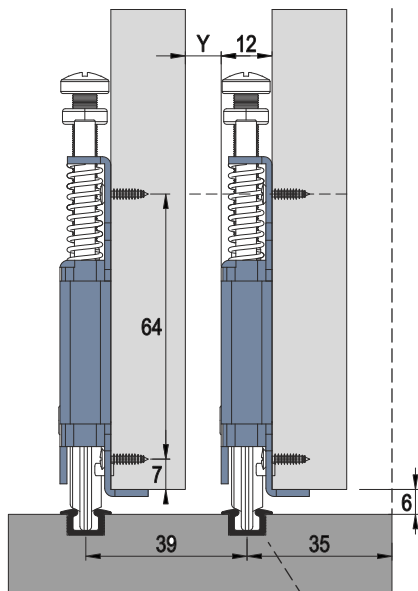
Two & Three -door desingn of closing and colliding direction
Fitting situation for profiles and system components



Planning dimensions



Door Thickness W	Article	Installed Width EB	Distance between doors		
			X	Y	Z
16	SRG 100	39	23	11	12
18	SRG 100	39	21	9	10
19	SRG 100	39	20	8	9
20	SRG 100	39	19	7	8
22	SRG 100	39	17	5	6



Recommended installation dimensions. All technical details are subject to change by Albaturo Co.

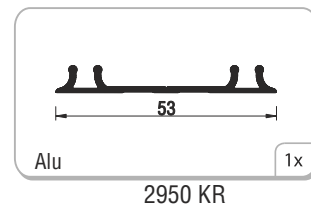
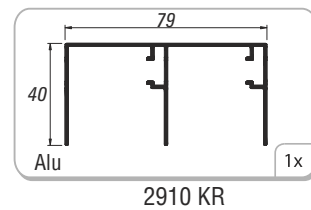
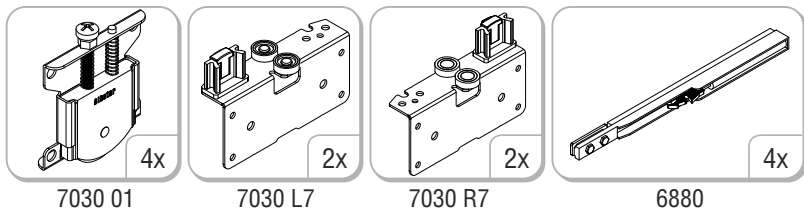
Sliding door system SRG 100

All cabinet designs

Parts of set pack contents

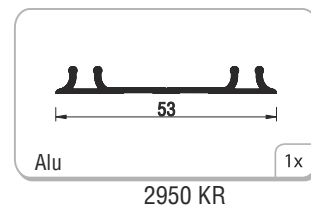
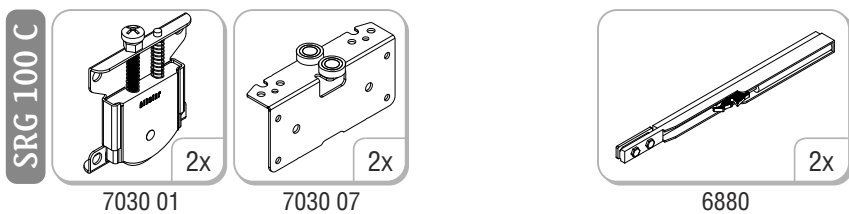
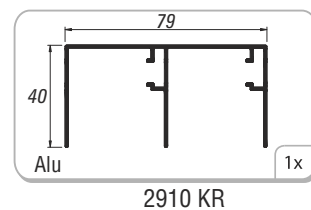
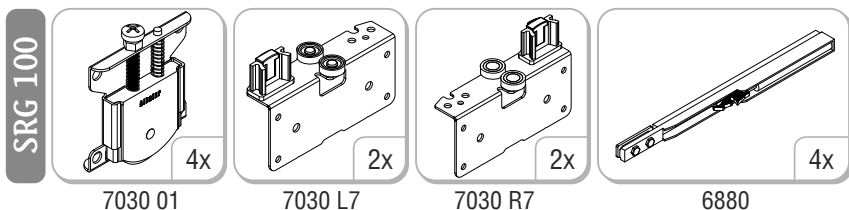


Set for 2 door (SRG 100) 16 - 18 - 19 - 20 - 22 mm wooden panels



- 7030 01 internal & external door running component
- 7030 L7 internal & external door upper slider left with activatore
- 7030 R7 internal & external door upper slider right with activatore
- 6880 internal & external door soft closer
- 2910 KR aluminium top rail
- 2950 KR aluminium bottom rail

Set for 3 door (SRG 100 + SRG 100 C) 16 - 18 - 19 - 20 - 22 mm wooden panels



- 7030 01 internal & external door running component
- 7030 L7 internal & external door upper slider left with activatore
- 7030 R7 internal & external door upper slider right with activatore
- 6880 internal & external door soft closer
- 2910 KR aluminium top rail
- 2950 KR aluminium bottom rail

- 7030 01 external door running component
- 7030 07 internal door upper slider left & right without activatore
- 6880 external door soft closer

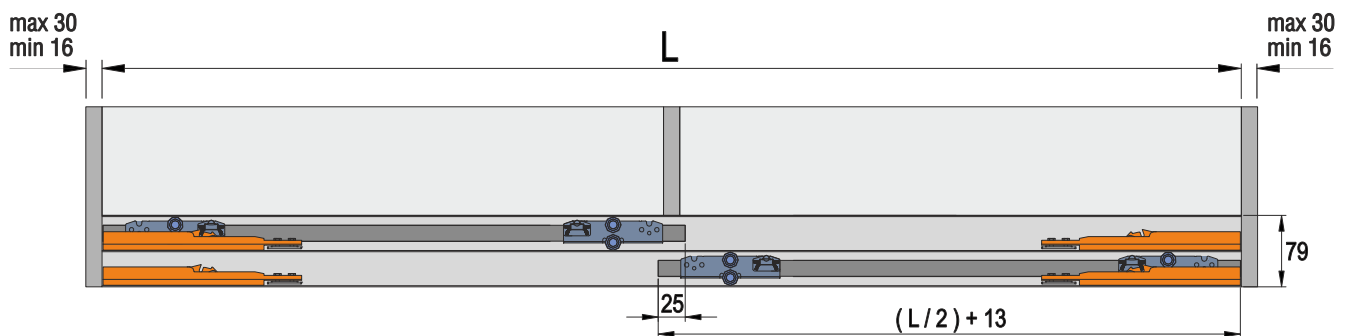
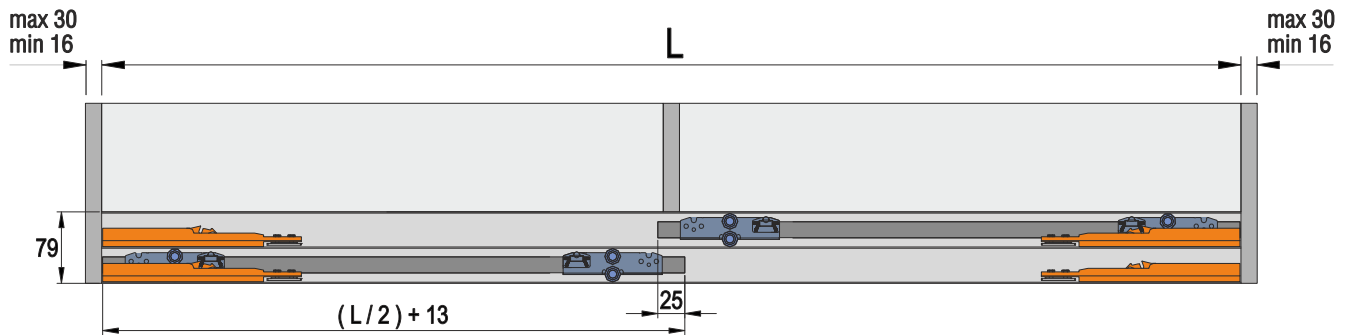
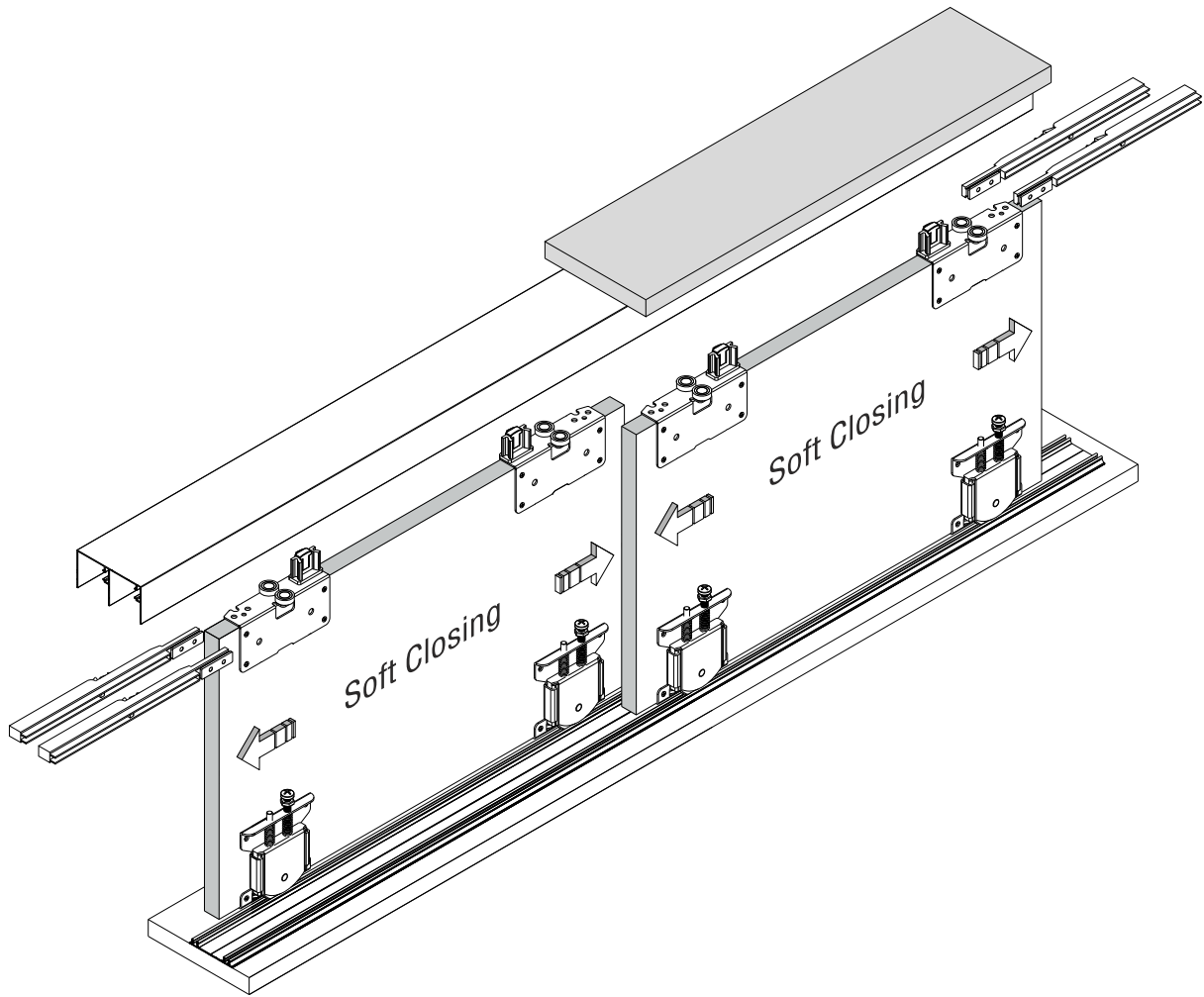
Recommended installation dimensions. All technical details are subject to change by Albaturo Co.

Sliding door system SRG 100

Two door design with SRG 100 (closing and colliding direction)



Door opening options



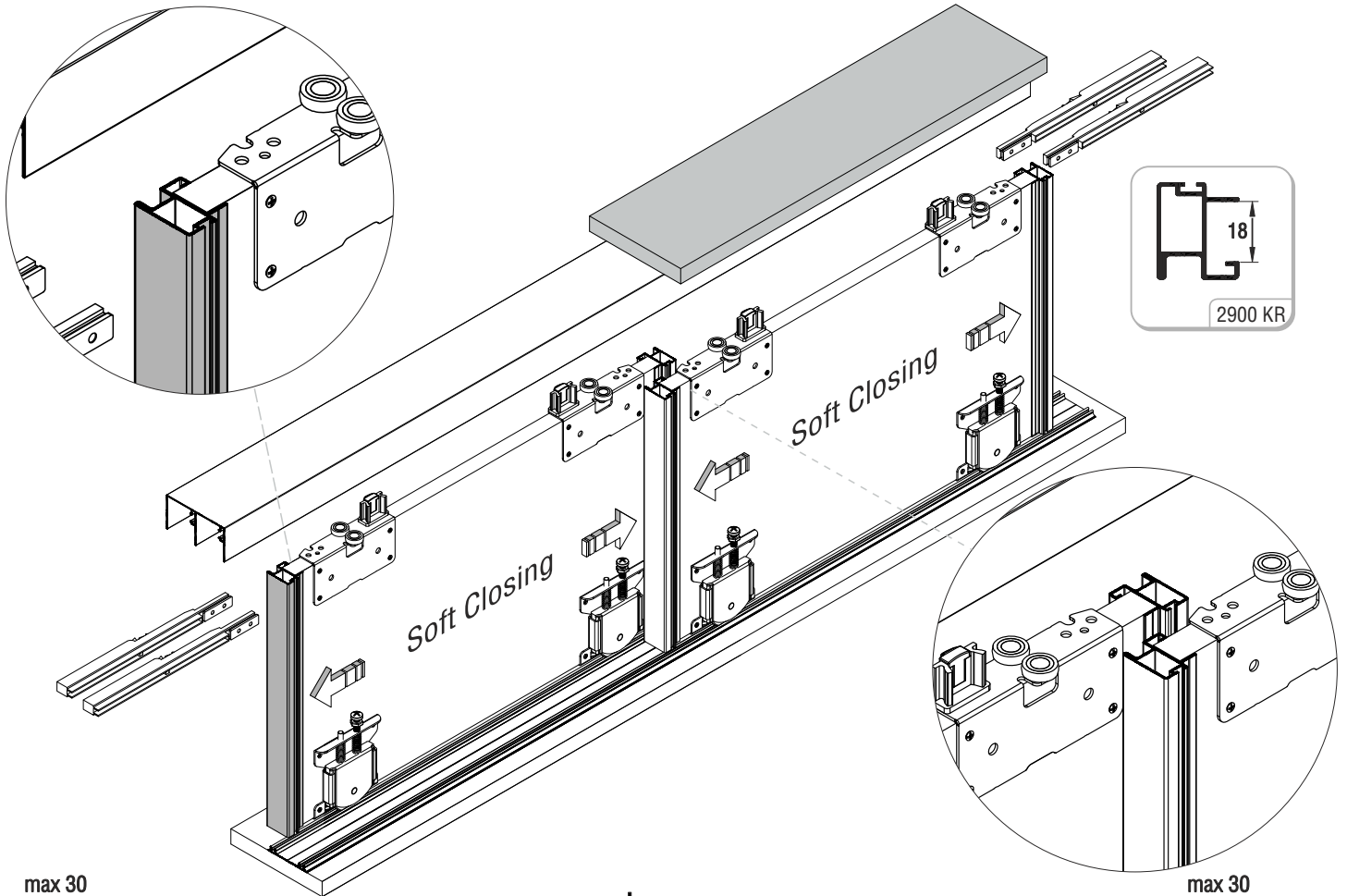
Recommended installation dimensions. All technical details are subject to change by Albaturo Co.

Sliding door system SRG 100

Two door design with SRG 100 (closing and colliding direction)
Handle profile 2900



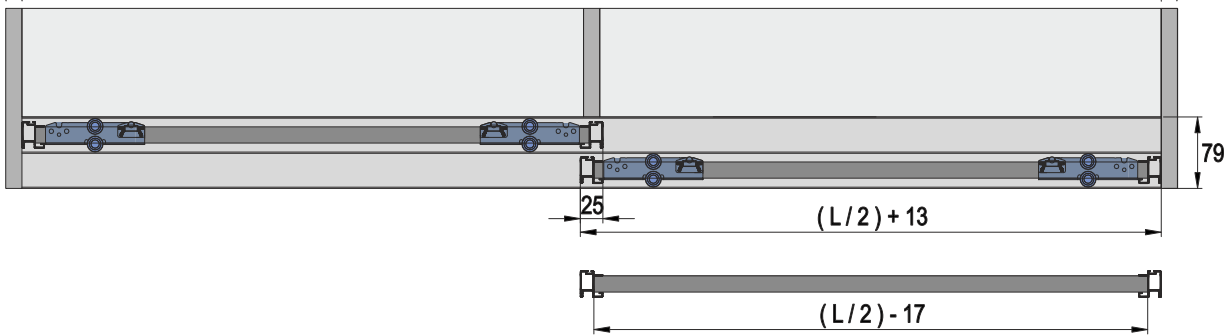
Door opening options with handle profile



max 30
min 16

L

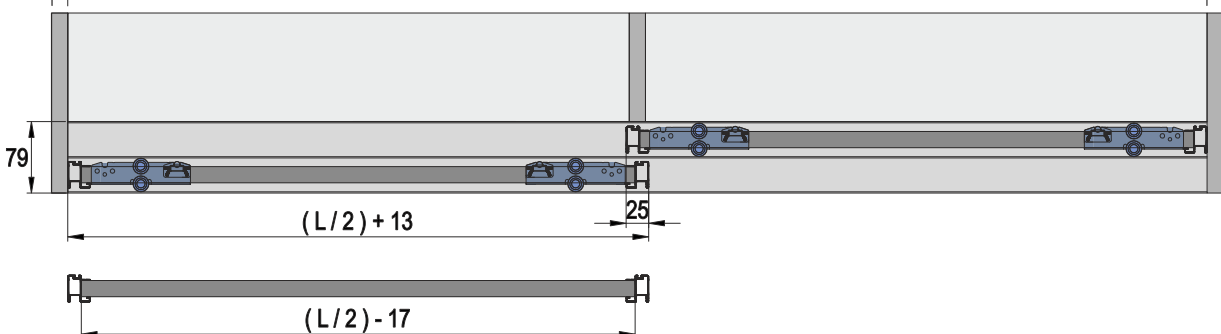
max 30
min 16



max 30
min 16

L

max 30
min 16



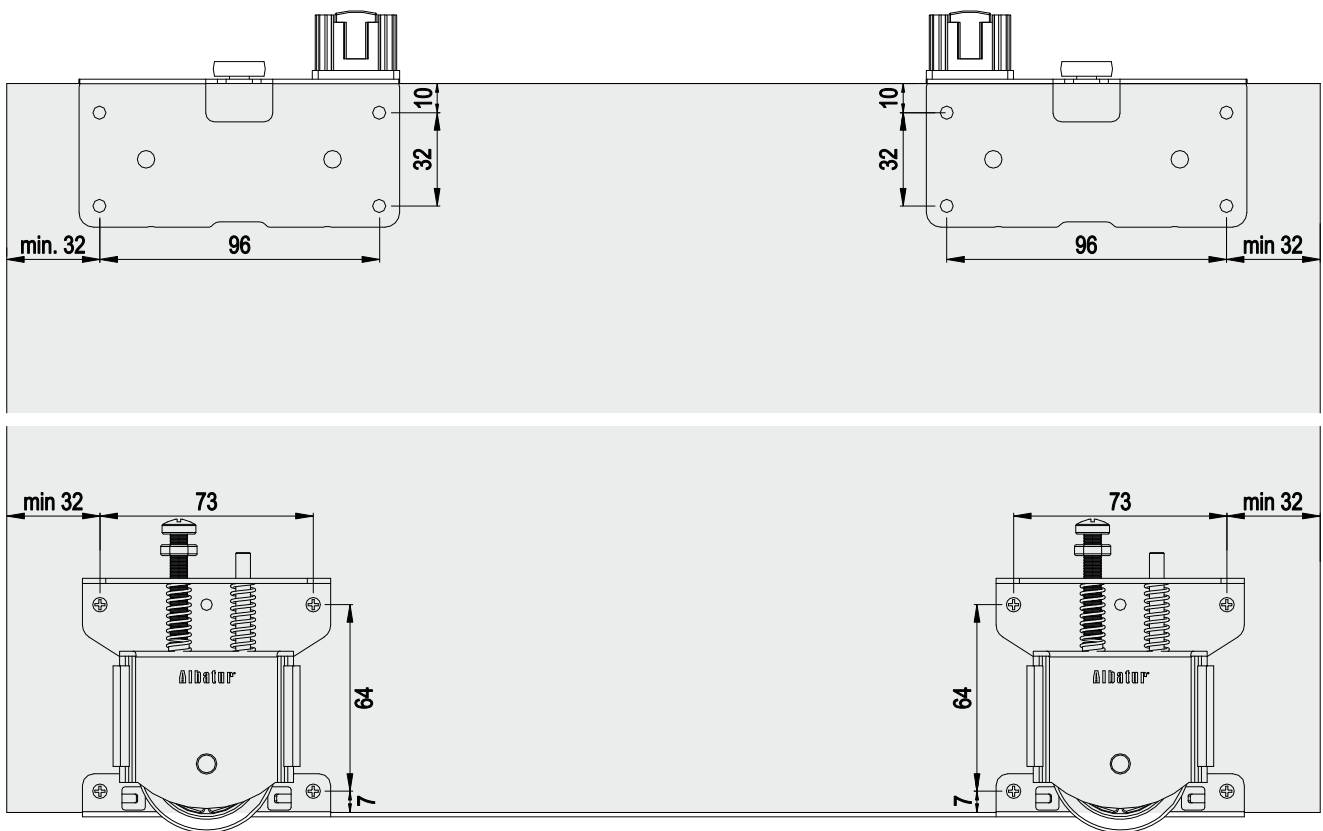
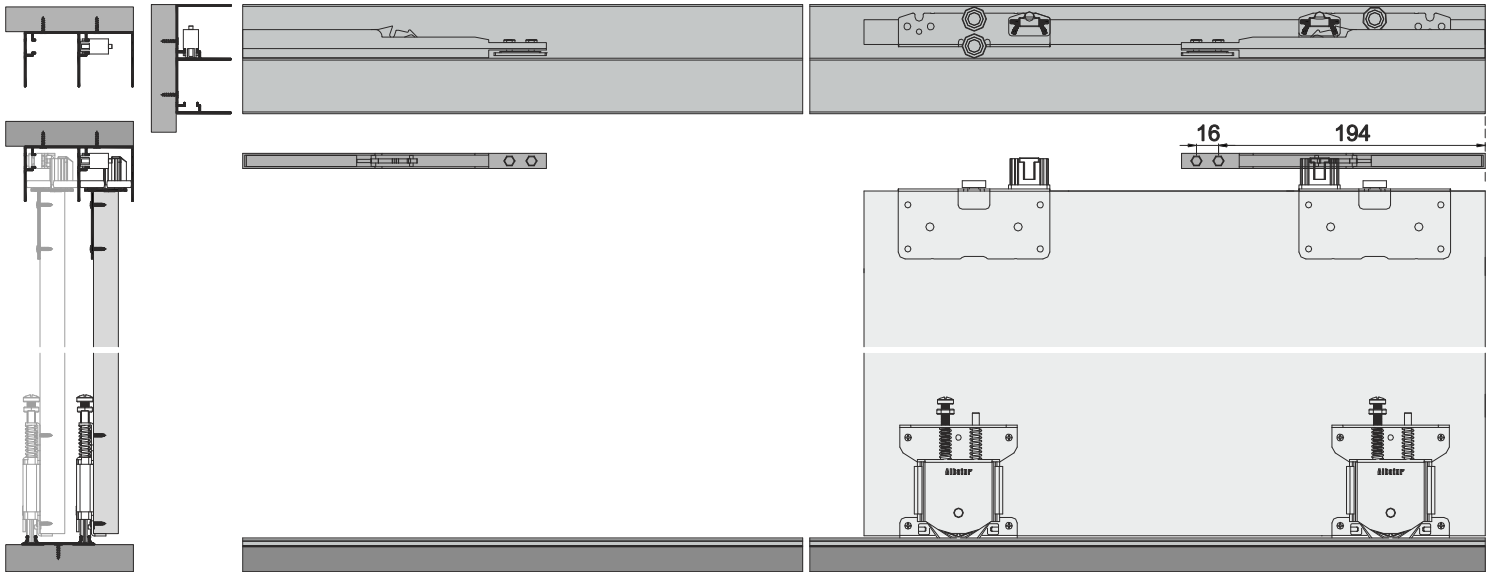
Recommended installation dimensions. All technical details are subject to change by Albaturo Co.

Sliding door system SRG 100

Two door - All cabinet designs
Internal door options



Internal door options



Recommended installation dimensions. All technical details are subject to change by Albaturo Co.

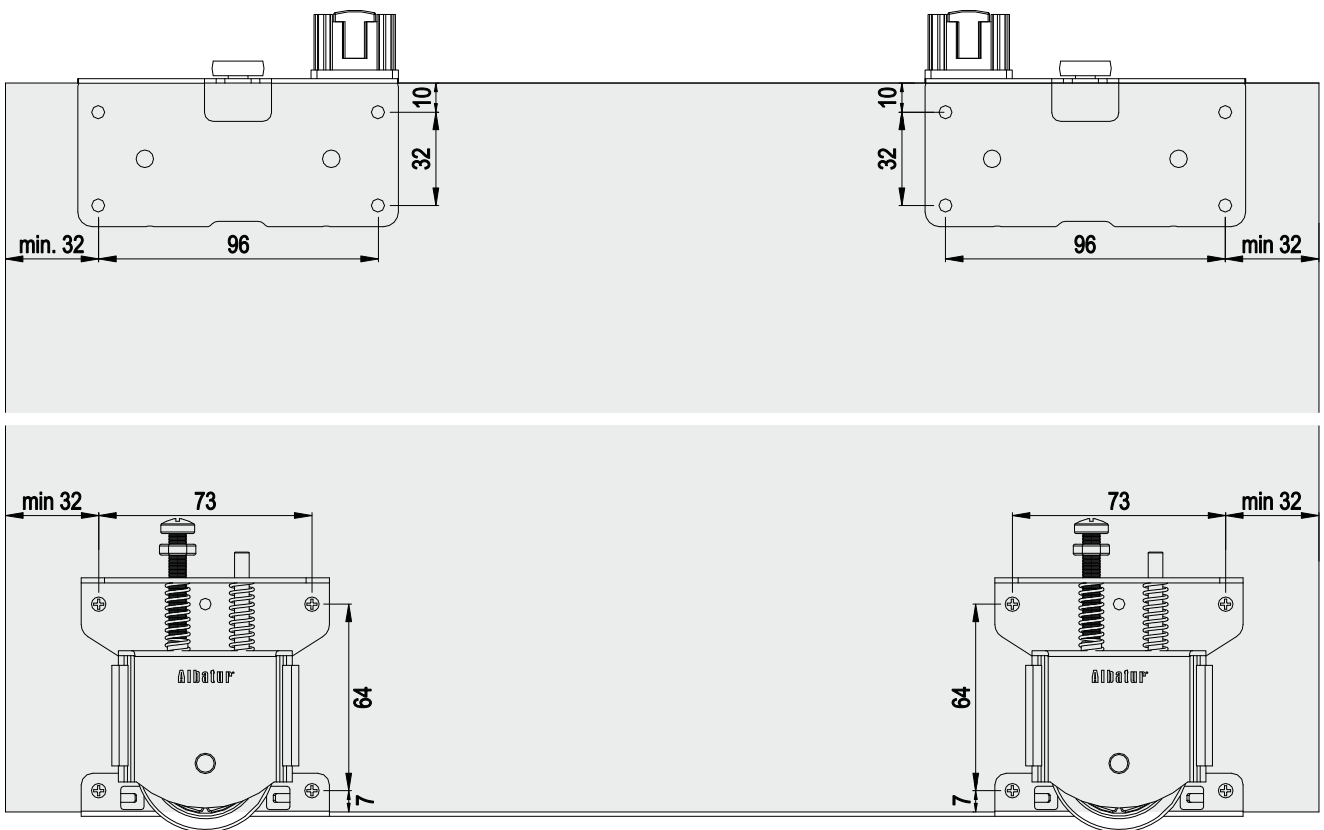
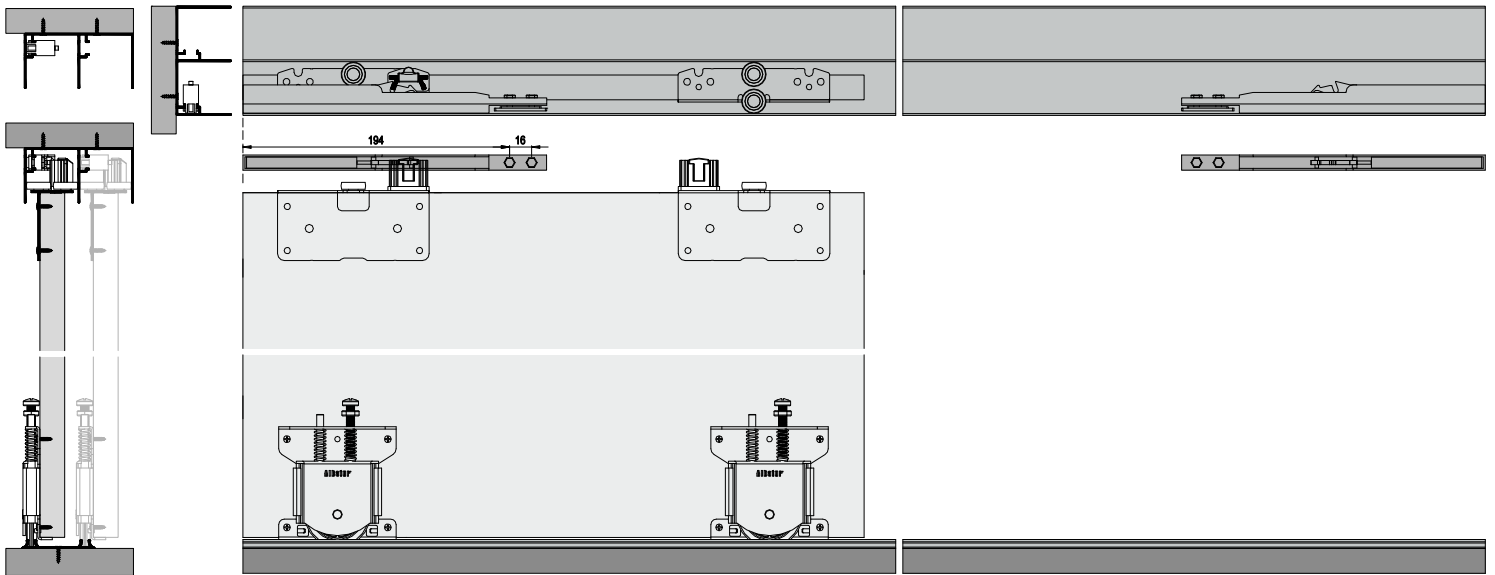
Sliding door system SRG 100

Two door - All cabinet designs

External door options



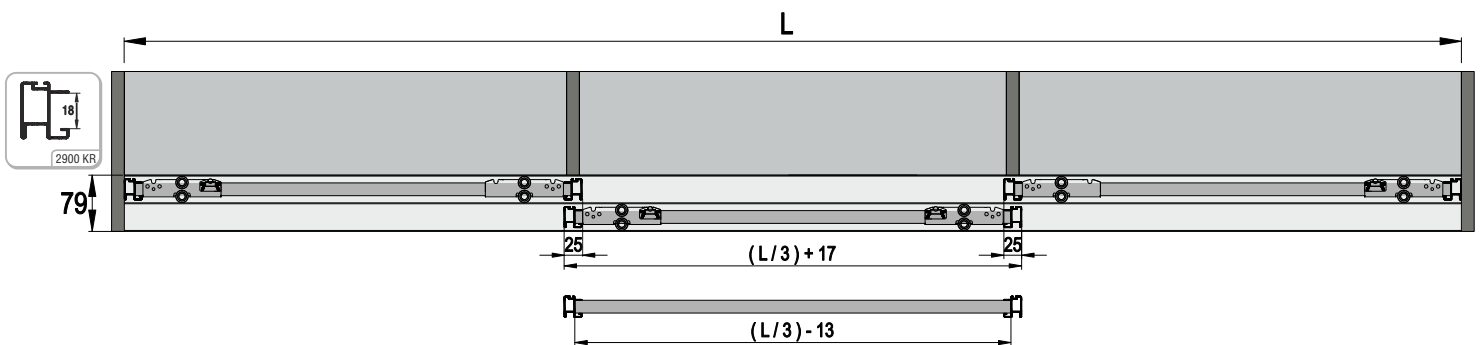
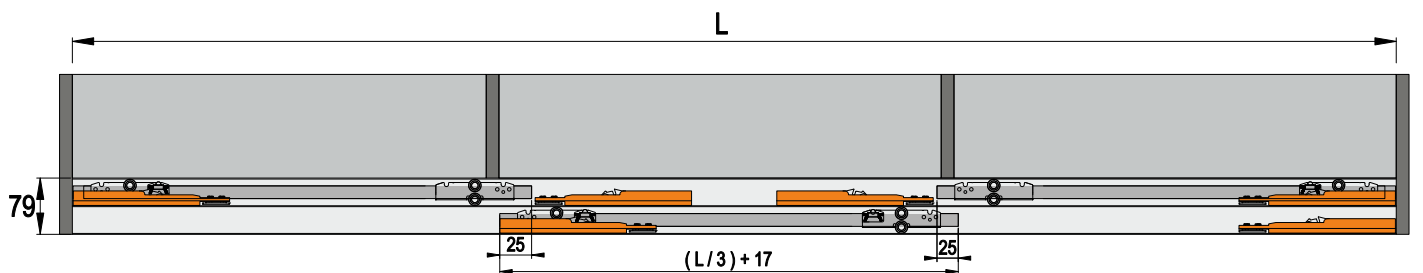
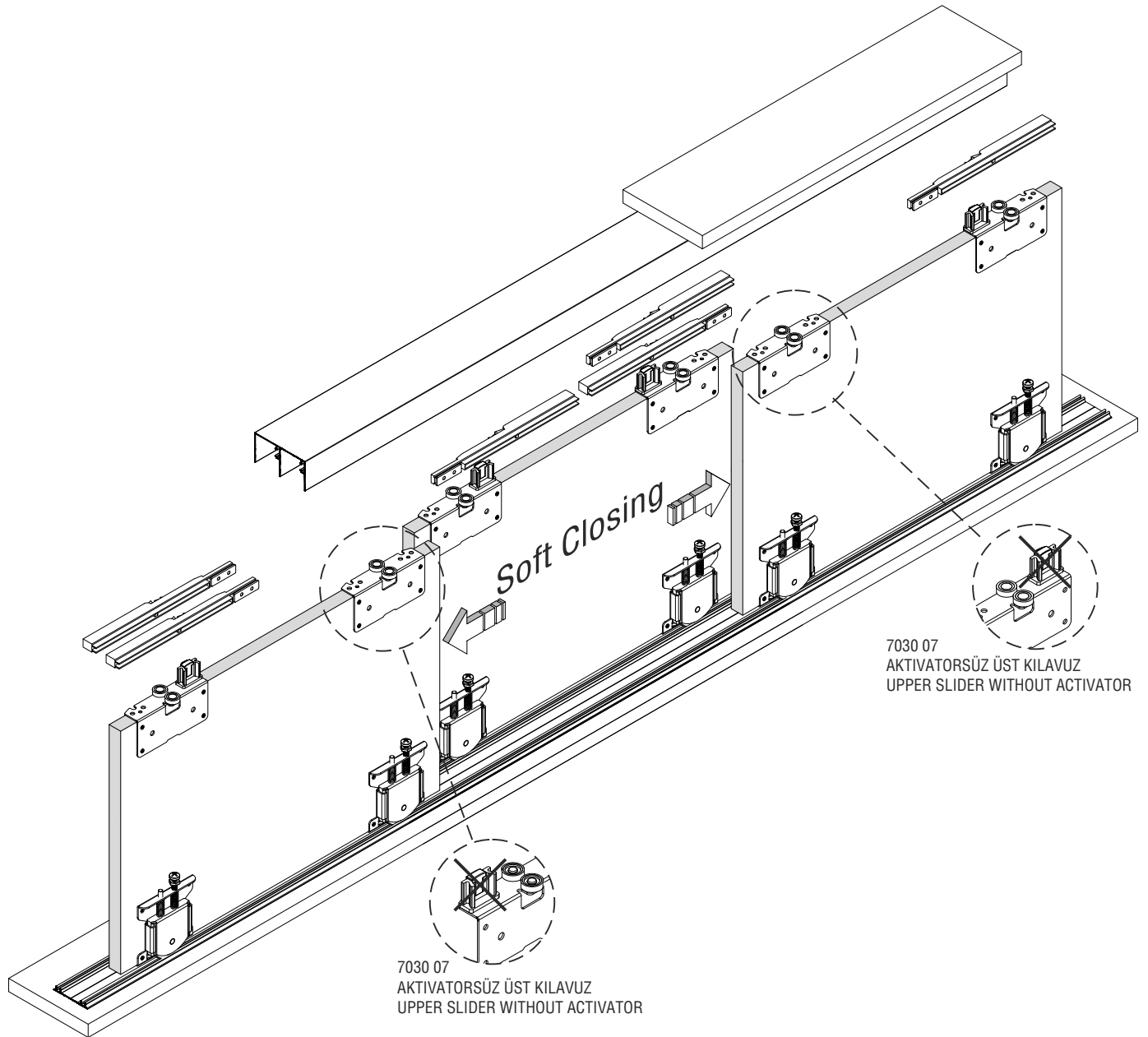
External door options



Recommended installation dimensions. All technical details are subject to change by Albatour Co.

Sliding door system SRG 100

Three door - All cabinet designs
Internal & external door options



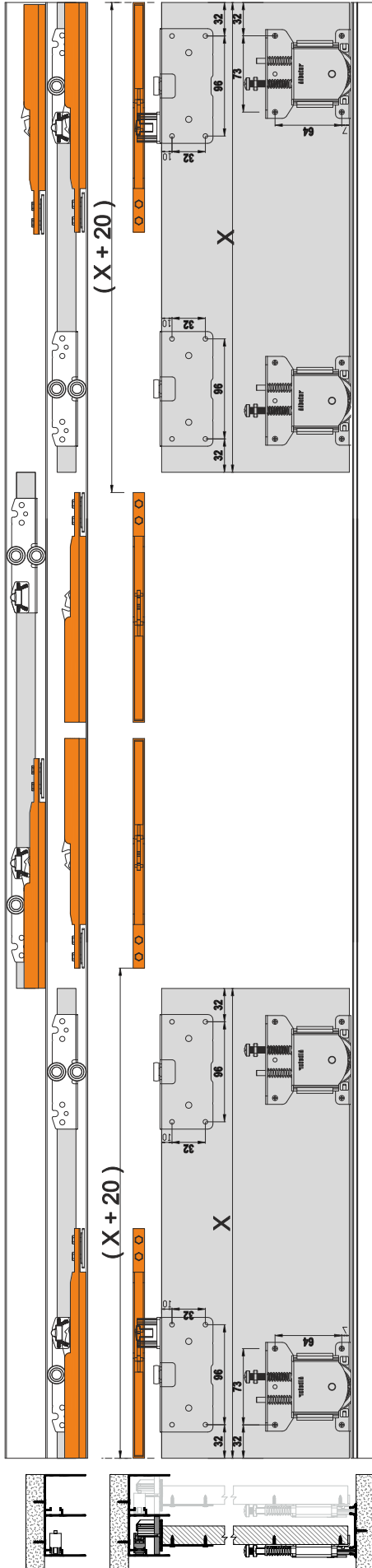
Recommended installation dimensions. All technical details are subject to change by Albatur Co.

Sliding door system SRG 100

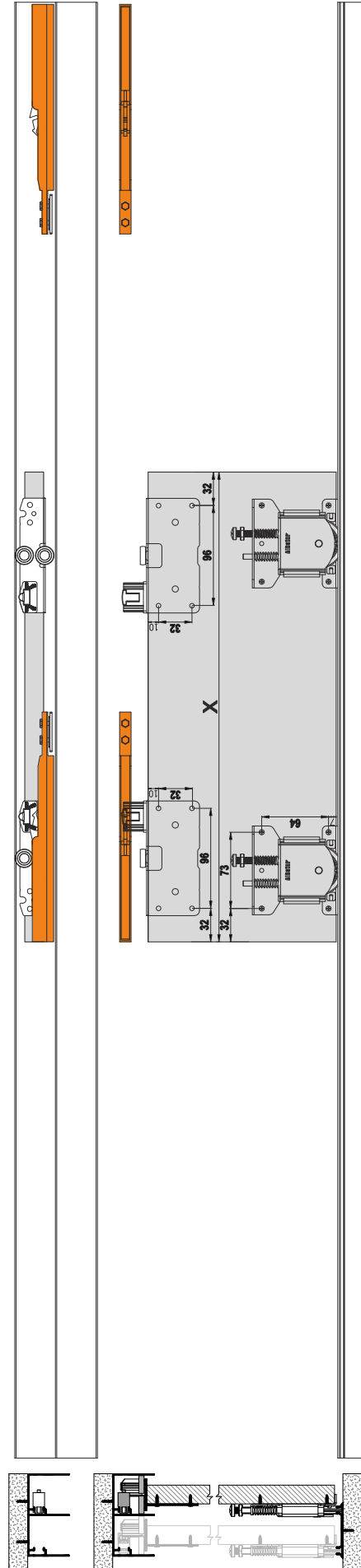
Three door - All cabinet designs
Internal & External door options



INTERNAL DOOR ASSEMBLY



EXTERNAL DOOR ASSEMBLY

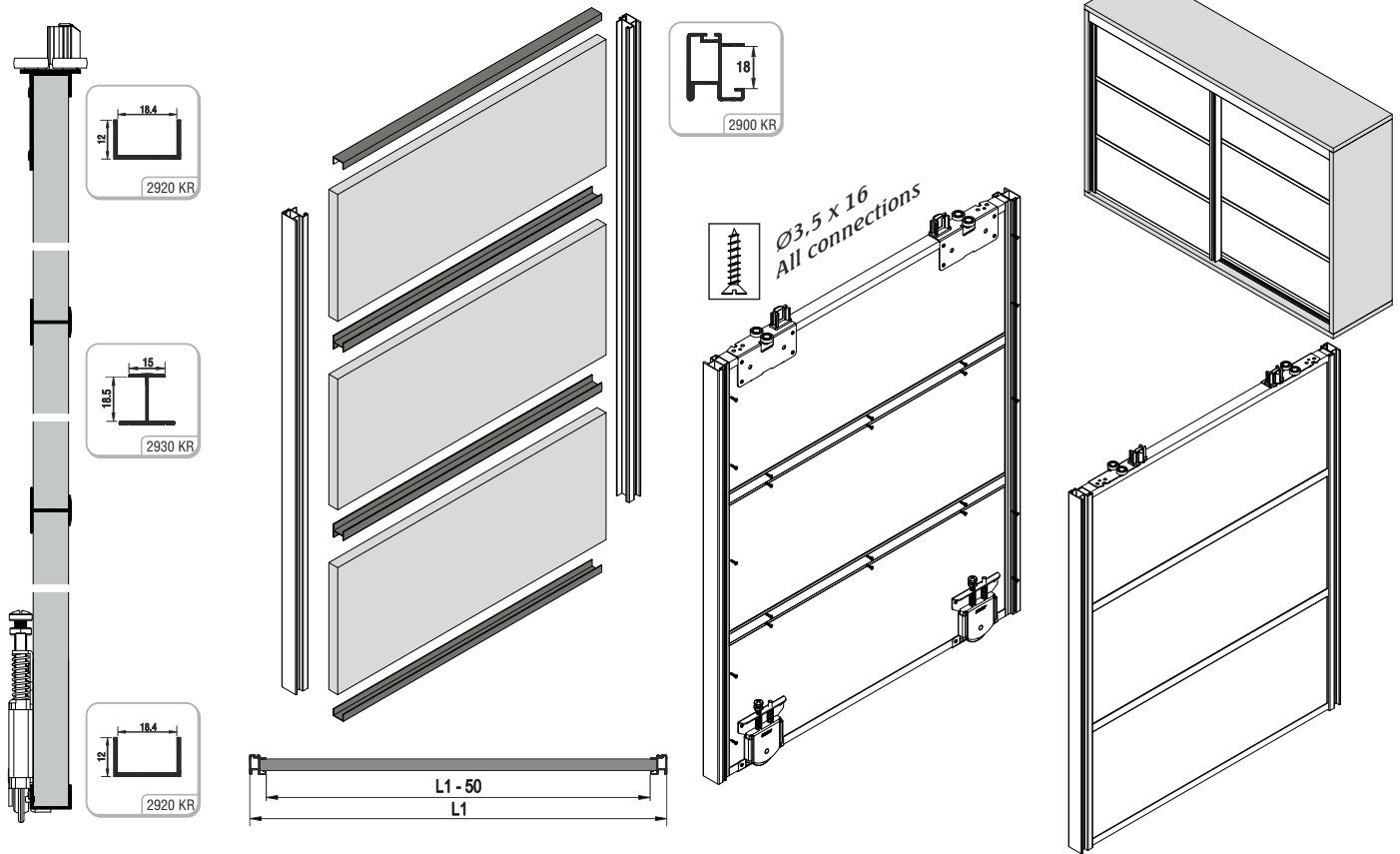


Sliding door system SRG 100

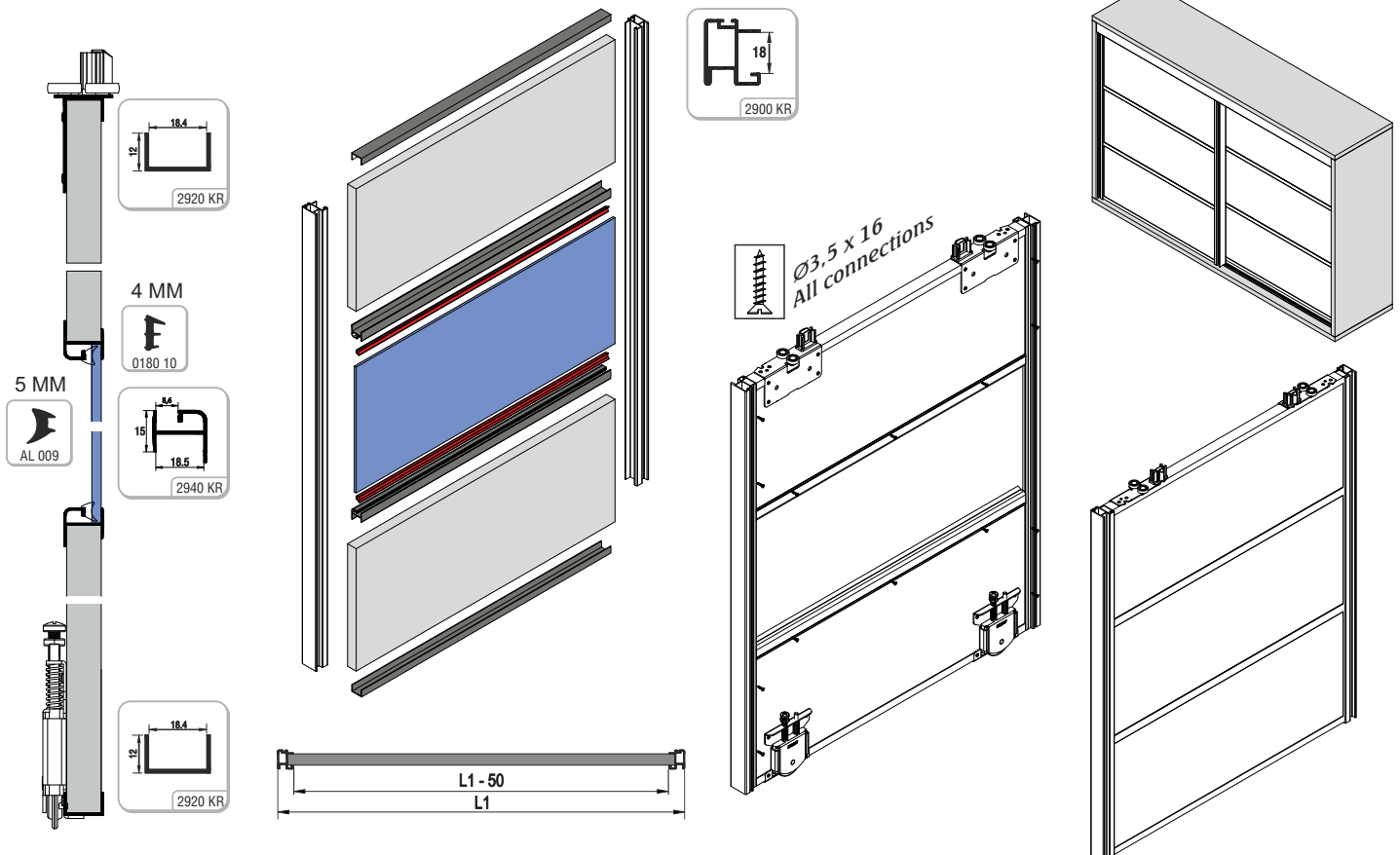
Two & Three door - All cabinet designs
Internal & External door handle options



Handle Profile sets for 18 mm wooden panel



Handle Profile sets for 18 mm wooden panel with glass / mirror



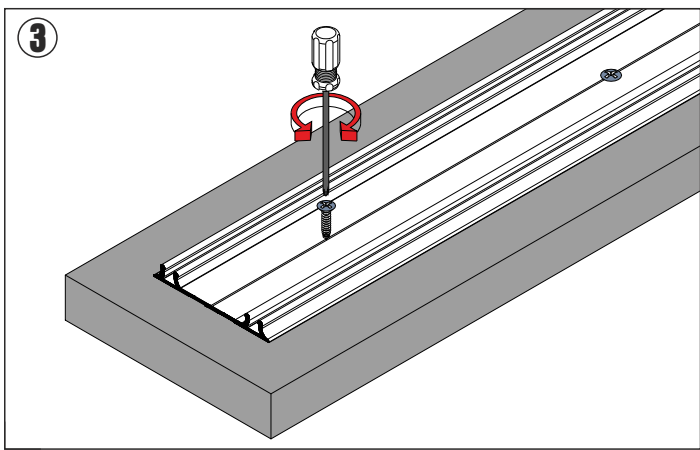
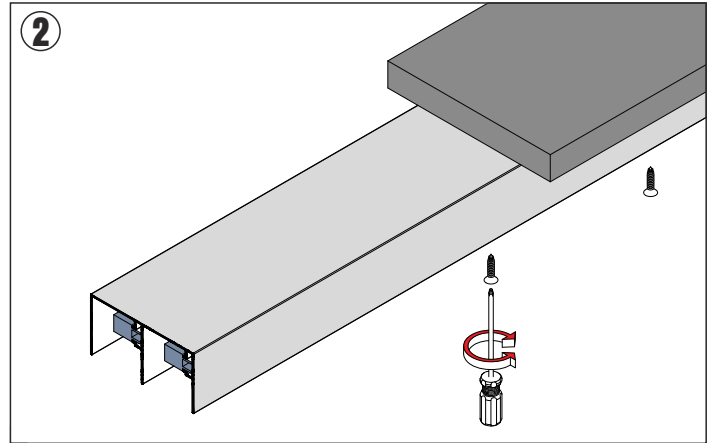
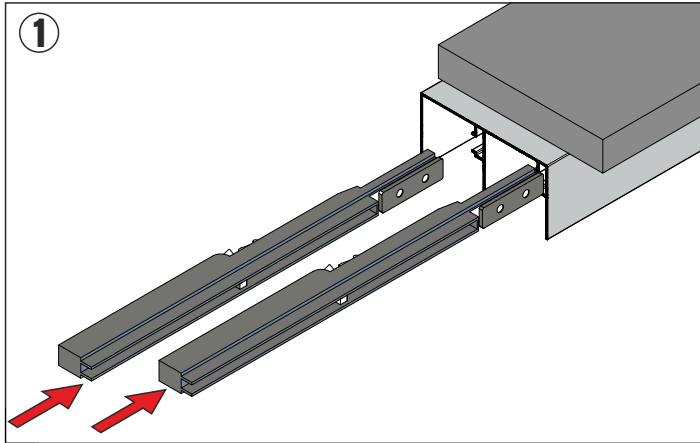
Recommended installation dimensions. All technical details are subject to change by Albaturo Co.

Sliding door system SRG 100

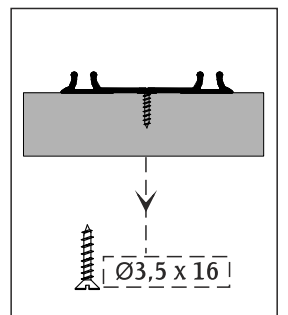
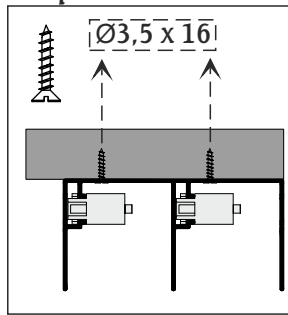
Two - Three door design (closing and colliding direction)
Installation parts



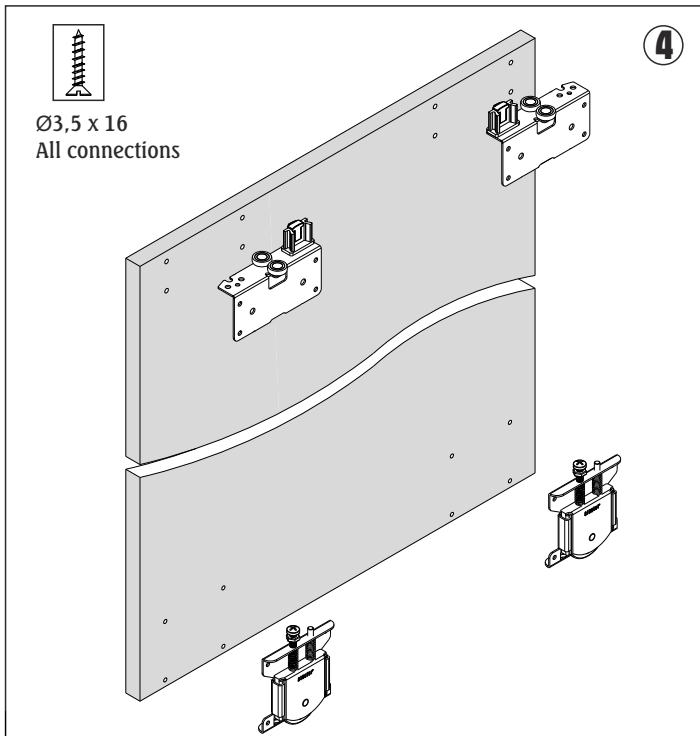
Installation



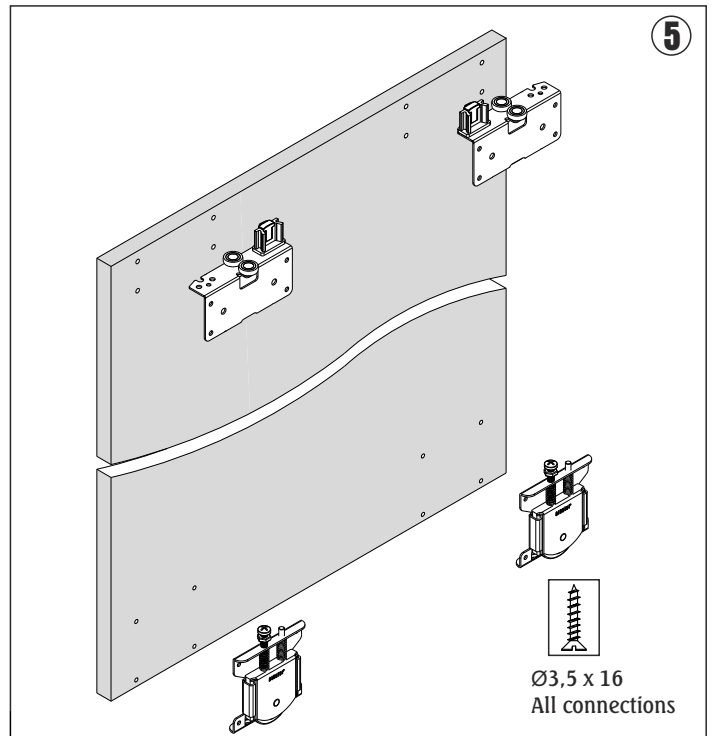
- 1- Installing upper dumpers
- 2- Installing slider profile
- 3- Installing bottom guiding profile



Internal door



External door

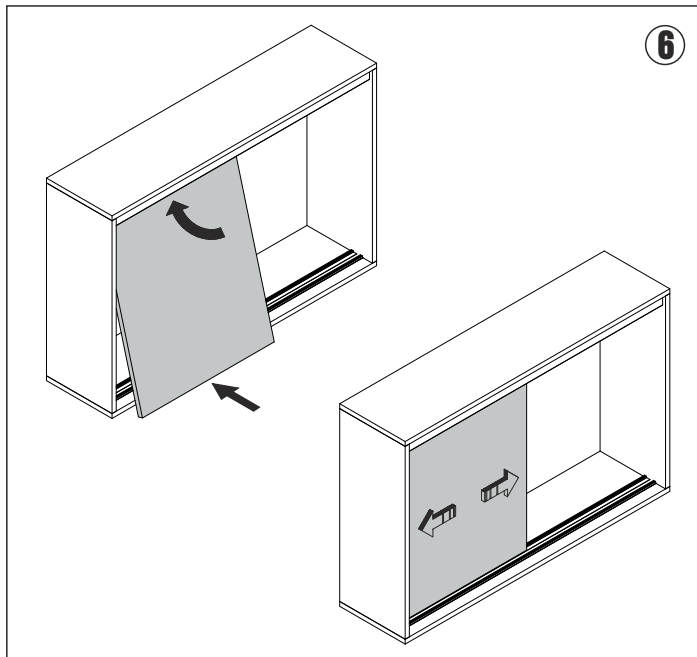


4- Internal door ; Installing Runnig and guiding components

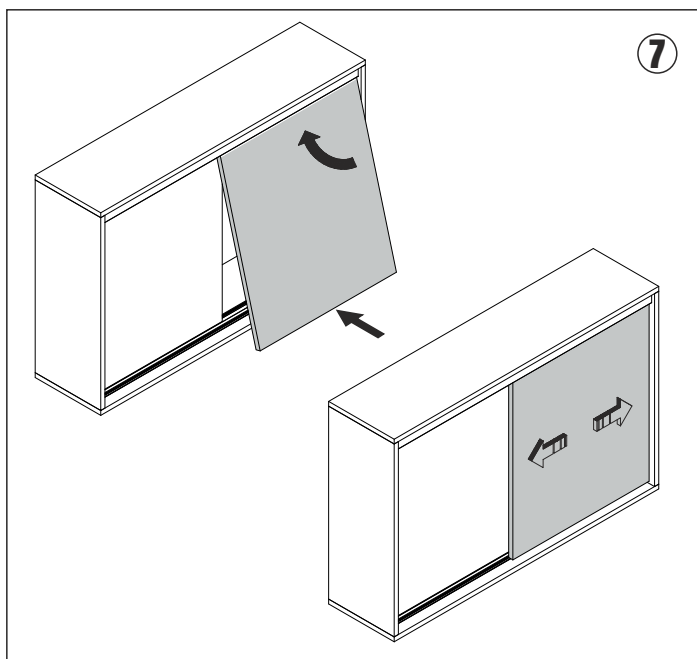
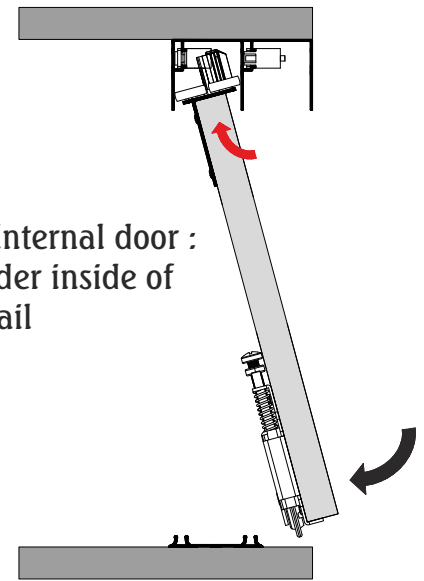
5- External door ; Installing Runnig and guiding components

Recommended installation dimensions. All technical details are subject to change by Albaturo Co.

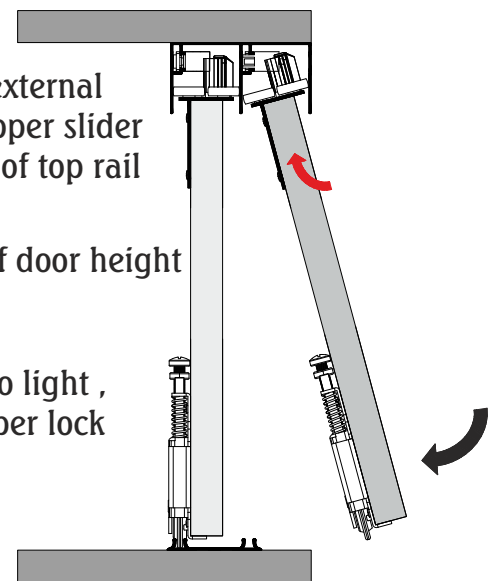
Door montage options



6- First of all , internal door :
place upper slider inside of
behind of top rail



7- Secondly , external
door ; place upper slider
inside of front of top rail



8- Adjusting of door height

9- If door is too light ,
must open upper lock
for security

